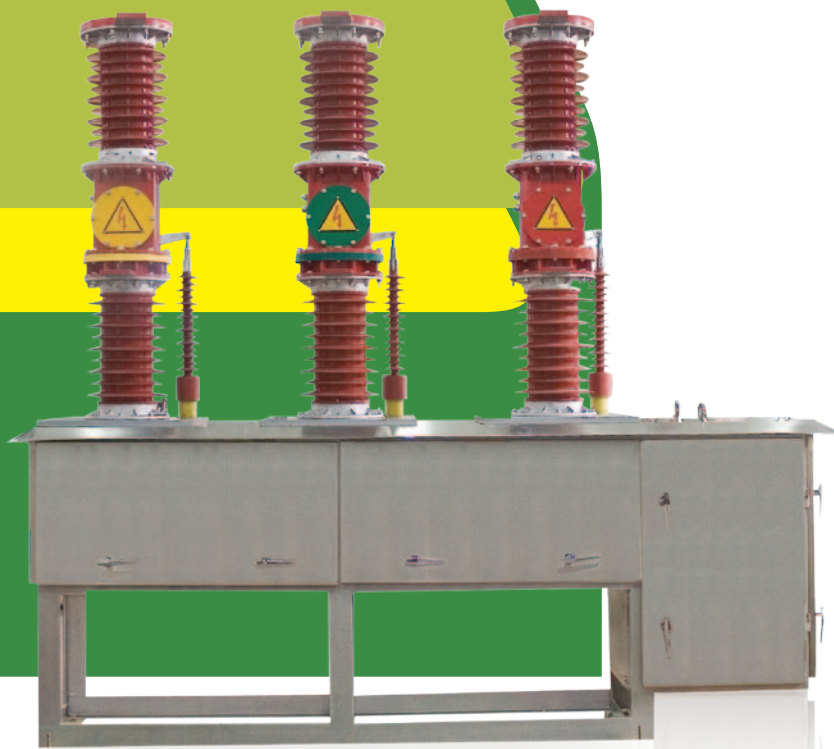


SCHVB7-40.5W

户外高压真空断路器

Outdoor high voltage vacuum circuit breaker



适用范围

Application

SCHVB7-40.5W 型户外高压真空断路器 (以下简称断路器) 是三相交流 50Hz, 适用于额定电压为 40.5kV 的户外高压开关设备。断路器符合国标 GB1984《高压交流断路器》及专业标准 JB3855《3.6~40.5kV 户外交流高压真空断路器》和相关的 IEC 标准。可供工矿企业、发电厂以及变电站作电气设备的控制和保护之用, 并适用于频繁操作的场所。断路器具有多次开断和快速重合闸的能力。

SCHVB7-40.5W type of outdoor high voltage vacuum circuit breaker (hereinafter referred to as the circuit breaker) is three-phase ac frequency 50 Hz, rated voltage of 40.5 kV outdoor high voltage switch equipment. Circuit breaker meet the national GB1984 the high-voltage ac breaker "and professional standard JB3855" 3.6~40.5 kV voltage vacuum circuit breaker outdoor exchange "and relevant IEC standard. For industrial enterprise, power plants and substation of electrical equipment for control and protection with, and applies to frequent operation place. Circuit breaker has repeatedly open circuit and fast reclose ability.

使用环境

The use of environmental conditions

- 环境温度: 不高于 +40 °C, 不低于 -40 °C;
- 空气相对湿度: 日平均值不大于 95%, 月平均值不大于 90%;
- 海拔高度不超过 2000 米;
- 风压不超过 700Pa(相当于风速 34m/s);
- 地震烈度不超过 8 级;
- 无火灾、爆炸、严重污秽、化学腐蚀以及剧烈震动的场所。

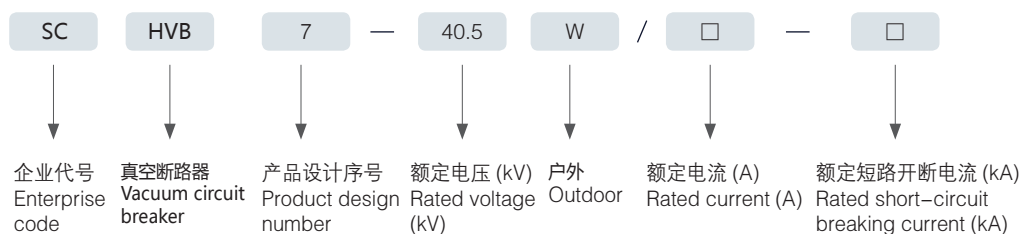
客户如有其它特殊要求, 可在订货时提出, 我公司可给予最大满足。

- Environmental temperature: no higher than +40°C, no less than -40 °C ;
- Air relative humidity: day average no greater than 95%, on average less than 90%;
- The altitude does not exceed 2000 m;
- Wind pressure not more than 700 Pa (equivalent to wind speed 34 m/s);
- Seismic intensity not more than eight level;
- No fire, explosion, serious filthy, chemical corrosion and violent vibration of places.

If the customers have other special requirements, can be in order to put forward, our company can offer most satisfied.

断路器型号、名称及含义

Type of circuit breaker, the name and meaning



产品特点

Features

- 断路器采用三相支柱式结构，具有开断性能稳定可靠、无燃烧和爆炸危险、免维护、体积小、重量轻和使用寿命长等特点。断路器采用全封闭结构，外壳采用优质不锈钢材料。具有密封性、防凝露性、防腐蚀性、防盐雾性等抗环境性能优良。
- 绝缘部分采用环氧树脂和硅橡胶复合绝缘材料，绝缘等级高，防污秽能力强，具有耐臭氧、抗紫外线、疏水性和抗高低温能力。箱体无变压器油、无六氟化硫气体，满足无油化改造和绿色产品要求。
- 操作机构为弹簧操作机构，有手动和电动两种，需要时可加装遥控操作装置和躲避合闸涌流装置。要求的外供电源功率不大于 70W，
- 易于配备后备电源。设计独特的缓冲装置，性能优异，反弹小，噪声低。
- 真空灭弧室采用特种不锈钢钎焊技术，无需电镀，焊接质量高，稳定可靠，漏气率低。制作工艺上使用特殊的陶瓷金属化配方和先进的陶瓷金属化工艺，保证了产品的气密性，抗拉强度大于 130Mpa，完全一次封排。
- 可按智能控制器，具备重合器功能。带 485/232 通讯接口或通过光纤、无线实现远距离监控；重合闸后加速功能；当开关重合于永久性故障时，会加速跳闸。
- Circuit breaker three-phase pillar type structure, with open circuit performance is stable and reliable, no combustion and explosion danger, free of maintenance, small volume, light weight and long service life etc.
- Circuit breaker using fully closed structure, the shell adopts the high quality stainless steel materials. Has the sealing, prevent condensation sex, anticorrosive, prevent salt mist sex of environment such as excellent performance.
- Insulation of the epoxy resin and silicone rubber compound insulation materials, insulation class is high, the filthy ability, good resistance to uv radiation, ozone, hydrophobic and higher resistance to high temperature ability. The cabinet without transformer oil, no six fluoride sulfur gases, meet the transformation and no oil green product requirements.
- Operator for spring operation mechanism, manual and electric two, when need can add remote control device and avoid close brake current device. The requirements of the power supply source power is not more than 70 W, easy to equipped with backup power supply. Unique design of the buffer device, excellent performance, the rally is small, low noise.
- Vacuum arcing chamber adopts special stainless steel brazing techniques, do not need to electroplating, welding quality, stable and reliable, and a flat rate is low. Production process using special ceramic metallization formula and advanced ceramic metallization process to ensure that the products of air tightness, tensile strength greater than 130 Mpa, completely a seal platoon.
- May according to the intelligent controller, the function with coincidence. Take 485/232 communication interface or through the optical fiber, wireless realizing remote monitoring; After reclose accelerated function; When the switch coincidence on permanent fault, will accelerate trip.

主要技术参数

Mainly technical parameters

断路器的主要技术参数 The main technical parameters of

序号 No.	项目 Item	单位 Unit	数值 Number of values
1	额定电压 Rated voltage	kV	40.5
2	额定电流 Rated current	A	1250/1600/2000
3	额定频率 Rated frequency	Hz	50
4	工频耐压 (1min) Power frequency withstand voltage (1min)	干试 (相间、对地 / 断口) Dry test (white/ fracture)	95
		湿试 (对地、外绝缘) Wet again(on the ground outside the insulation)	80
5	雷电冲击耐受电流 (峰值)(相间、对地 / 断口) Lightning impulse withstand current (peak) (white/fracture)	kV	185
6	额定短路开断电流 Rated short-circuit breaking current	kA	20/25/31.5
7	额定短路关合电流 (峰值) Rated short-circuit current (peak)	kA	50/63/80

断路器的主要机械参数 The main mechanical parameters of the circuit breaker

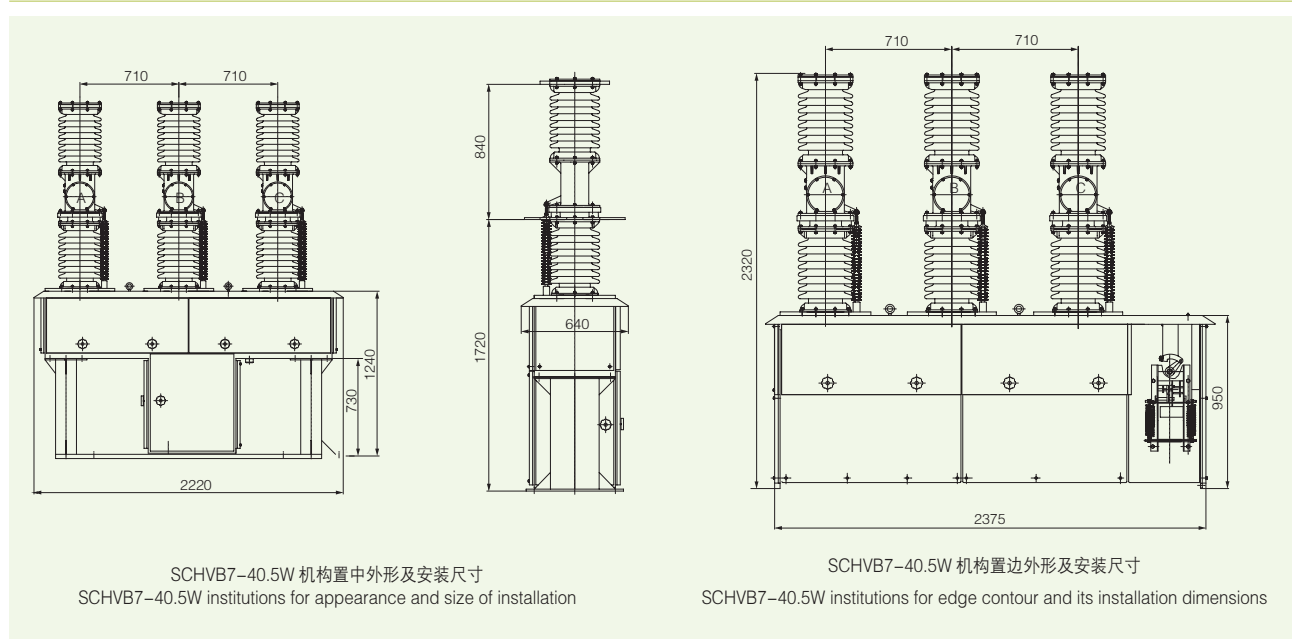
序号 No.	项目 Item	单位 Unit	数值 Number of values
8	额定峰值耐受电流 Rated peak withstand current	kA	50/63/80
9	4S 短时耐受电流 4S short-time withstand current	kA	20/25/31.5
10	额定操作循环 Rated operating cycle		分 - 0.3s - 合分 - 180s - 合分 Sub-0.3s-Hop sub-180s-Hop sub-
11	额定短路电流开断次数 Rated short-circuit current breaking time	次 Times	20
12	机械寿命 Mechanical life	次 Times	10000
13	二次回路 1min 工频耐压 Secondary circuit 1min power frequency withstand voltage	kV	2

断路器的主要机械参数 The main mechanical parameters of the circuit breaker

序号 No.	参数名称 Parameter name	单位 Unit	数值 Number of values
1	触头开距 Contact opens the distance	mm	22 ± 2
2	触头超行程 Contact ultra-travel	mm	4 ± 1
3	分闸速度 Opening speed	m/s	1.5 ± 0.2
4	合闸速度 Closing speed	m/s	0.7 ± 0.2
5	触头合闸弹跳时间 Contact closing bounce time	ms	≤ 5
6	相间中心距离 White center distance	mm	710 ± 10
7	三相分合闸不同期性 Three-phase of opening and closing of	ms	≤ 2
8	各相导电回路电阻 Each phase conductive loop resistance	$\mu\Omega$	≤ 100
9	重量 Weight	kg	约 800 About 800

外形及安装尺寸

General structure drawing and installation size



订货需知

Ordering

- 产品型号、名称及参数；
 - 断路器操作方式：手动、电动及电源参数；
 - 电流互感器的数量、参数；
 - 数量及交货期；
 - 备品、备件名称、数量。
- Product model, name and parameters;
 - Circuit breaker operating mode: manual and electric power supply, power parameters;
 - Current transformer, the number of parameters;
 - Number and date of delivery;
 - Spare parts, spare parts name, quantity.